

PRODUCT OFFER



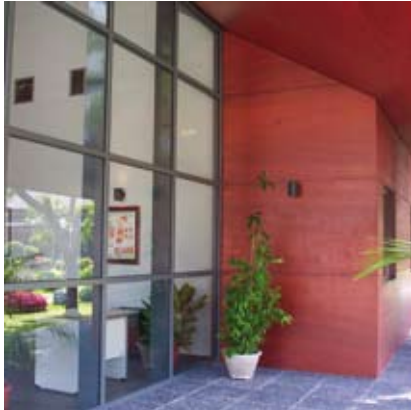


GEODE

52 mm module

A unique structure for several design effects

CURTAIN WALL



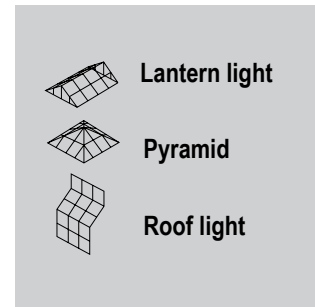
- Several design effects: grid aspect, beaded, vertical or horizontal line effects, 100% glass.
- Complete range of concealed opening sashes: 1 or 2 leaf inside opening windows, tilt and turn, top-hung, bottom hung, fire access windows.
- Infill support and weatherproofing realized with continuous pressure plate and front seal with EPDM gaskets.
- 2 versions for infill: 6 to 42 mm or 6 to 10.8 mm
- Sun break integration



ROOF LIGHT



- Grid effect, vertical line
- Same structure and use of capping for identical aesthetics between façade and roof light
- 18° to 60° roof pitches
- Built-in roof frame



CONCEALED OPENING FRAMES



- Identical aesthetical lines for these frames whatever the façade effect
- Seamless integration of concealed frames



SUNEAL

An aluminium Brise-Soleil system, adapted to all configurations, integrated into the GEODE façade or added on to an independent structure



- Fixed to the GEODE curtain-wall or roof light, or to the independent structure :

- The fixed 100 mm and 150 mm blades can be adapted
- Versatile accessories offer
- To meet the sun protection requirement for the GEODE roof light



- Solutions for every building shapes:

- 15 blades from 100 mm to 600 mm
- Fixed or movable, vertical or horizontal
- Façade cladding
- Global photovoltaic blade offer





TOPAZE

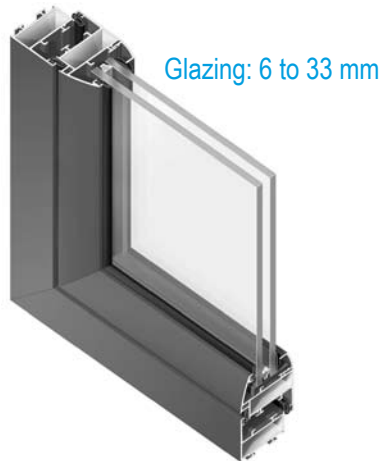
46 mm module

Wide and complete range: sliding system, casement windows and doors
Economical and high performance range



CASEMENT FRAME

- Opening in and out
- Wide range of solutions: fixed frame, 1 or 2 leaf windows, tilt & turn, top-hung, bottom-hung, top-hung butt-hinged windows, vertical pivot window, patio-doors
- Air, wind and water tightness with double barrier opening/outer frame EPDM gasket
- Composition with Topaze sliders and doors
- Aesthetics: straight or rounded opening sections, same finishing for accessories and aluminium profiles



DOOR

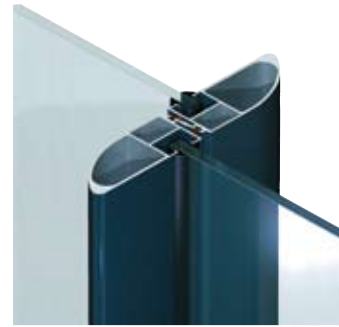
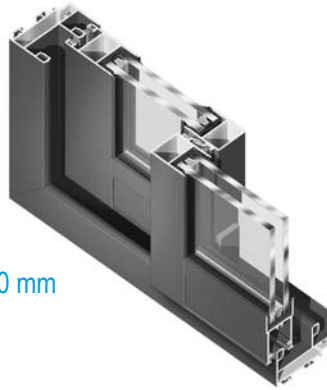
- Hinge-hung single-action version or double action version with floor spring.
- Large choice of ergonomics locks and handles: lever handle, push or pull bar, pad handle, etc.
- Security: anti-unhinging bolts
- Composition with Topaze casement frame and sliding system
- Options: Electric strike plate, fire-door espagnolette, Emergency exit push bar, etc.





SLIDING SYSTEM

- Complete range, 1-2-3-4 rails, compositions with fixed light, casement, integration of fly-screen, full-access solution, hurricane proof version.
- Infills: all kind of glass, integration of ventilation louvers
- High-performance rollers can bear up to 140 kg per sash
- Large choice of 1-3 pont locking systems and handles
- Hurricane-proof version:
 - Adapted to tropical areas
 - Large dimensions: up to 2.60 meters high
 - Reinforced mullions and weatherproofing resistant to cyclonic winds and rains
 - Integration of Y louvers for ventilation
 - Composition with Safetyline jalousie



Glazing: 5 to 20 mm

TOPAZE +

46 mm module

Sliding system - Thermally or non-thermally broken



SLIDING SYSTEM

- Robustness: opening and closing test up to 20,000 cycles, 200 kg per sash
- Aesthetics and attention to details: very thin mullions, finishing plugs in the same colour as the frames.
- Ergonomic locks and handles: half-moon lock, Technal patented handle
- Reinforced security: anti burglar solution



Glazing: 6 to 24 mm



JALOUSIE

63 mm module - Aesthetics and performance

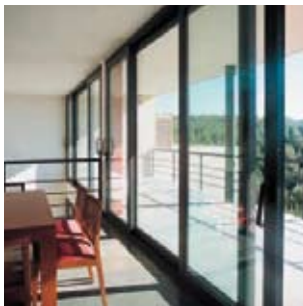


- Wind resistance Class C5
- Security ensured: burglar resistance (class 2 according regulation)
- Curved aluminium or glass louvers at 135 mm intervals
- Large dimensions: up to 1400 mm wide
- Large range of handles: lever handle, turn handle or knob



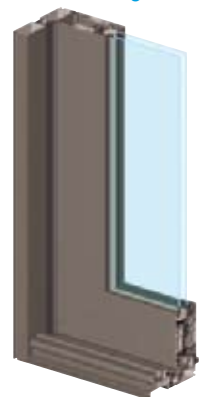
GALENE

126 mm module - Thermal-break patio-door with lift & slide system



- Large dimensions: H 2.50 m x W 2.50 m and 250 kg per sash
- Thermally, acoustic or security improved glass
- Lift and slide system enables to operate easily and smoothly even extra large sashes
- Compliant with European Standards: 20 000 cycles (open/close)

Glazing: 9 to 39 mm



OPALE

Partition system



- Large dimensions: H 3.00 m x W1.20 m and 100 kg per sash
- Partition with U rail, partition with narrow rail, partition with hollow gasket system
- Integration of side-hung door and full-access sliding door
- Large choice of ergonomic handles: lever handle, vertical bar handle, pad handle
- Flush wood or glass panels



TITANE

63 mm module - Single action traditional swing door for intensive use



- Intensive use: tested to 1 million cycles
Invisible top and bottom articulations (patented system)
- Large dimensions: H 2.50 m x W 1.30 m and 140 kg per sash
- Aesthetics and easy to operate
- Thin aluminium view
- Security:
 - Finger protection system (schools, public buildings, etc.)
 - Inaccessible articulations
 - Thin outer glazing gasket fully tamper-proof
 - Clipped and screwed outer glazing bead
 - Electromagnetic lock, etc.

Glazing: 6 to 32 mm



GYPSE

Balustrade



- Constructive system
 - Spaced or joined double post or single post
 - Cladding may be installed between, behind or in front of posts
 - Installation: top-fixed to slab, face-fixed to slab, face-fixed in front of slab, reveal mounted, low-wall mounted
- Design fully integrated in environment:
 - Thin lines
 - Combination of material (aluminium, stainless steel, wood, glass, composite panel)
 - Discreet assembling
- Swimming pool barrier version in compliance with new French regulation



NOTEAL

A comprehensive range of shutters and coverings, hinged shutters, hung sliding shutters, covering panels.



- Shutters offer:
 - Making provisions for the issues of protection from sunlight and ventilation
 - For office and residential buildings, or for curtain-walls and high-end buildings
 - Hinged shutters, hung sliding shutters or covering panels, motorized sliding shutters, ...





HBS International (headquarters) :

270, rue Léon-Joulin - BP 63709
31037 Toulouse Cedex 1 - France
T +33 (0)561 312 626
F +33 (0)561 312 000
www.technal-int.com

HBS Argentina :

Edificio Barracas Central
J. Feigo 735, AP.136
Buenos Aires
Argentina
T +54 11 4302 3934

HBS South East Asia :

No.46, BT Complex, Lot 47405,
Simpang 13, Jalan Berakas,
Bandar Seri Begawan BB2713
Negara Brunei Darussalam
T +673 234 2480
F +673 234 2481

HBS North Africa :

Chez transport CG
Parc Industriel de Bouskoura - Lot n°77
Route secondaire 109
20180 Bouskoura
Maroc
T +(212) 5 22 59 24 26
F +(212) 5 22 59 24 25

HBS China :

Beijing Office
5C-15, LIANDO International Industrial Park,
Maju Bridge, Tongzhou District, Beijing, P.R.C 101102
T +8610-6059 5686
F +8610-6059 5622
Shanghai Office
1108 Shengtiandi Business Building,
1165 Jiangning Road, Shanghai, P.R.C 200060
T +8621-6107 5017/19
F +8621-6107 5021

HBS India :

736, Eshwari Industrial Estate
Hulimavu Gate, Bannerghatta Road
Bangalore 560076 - India
T +91 80 2 658 9851
F +91 80 2 658 9850

Technal Middle East :

P. O. Box : 21848
Manama
Kingdom Of Bahrain
T +973 17 225777
F +973 17 217799